

Instruction Manual



25-305BK AEM HIGH CAP UNIVERSAL FUEL PRESSURE REGULATOR



STOP!

THIS PRODUCT HAS LEGAL RESTRICTIONS.
READ THIS BEFORE INSTALLING/USING!

WARNING! THIS IS A RACE ONLY PRODUCT MANUFACTURED AND SOLD FOR INSTALLATION ON VEHICLES DESIGNED TO BE USED SOLELY FOR COMPETITION PURPOSES. ONCE THIS PART IS INSTALLED, THE VEHICLE MAY NEVER BE USED, OR REGISTERED OR LICENSED FOR USE, ON A PUBLIC ROAD OR HIGHWAY. IF YOU INSTALL THIS PART ON YOUR VEHICLE AND USE THE VEHICLE ON A PUBLIC ROAD OR HIGHWAY, YOU WILL VIOLATE THE CLEAN AIR ACT AND MAY BE SUBJECT TO PERSONAL CIVIL OR CRIMINAL LIABILITY, INCLUDING FINES OF UP TO \$4,819 PER DAY.

IT IS THE RESPONSIBILITY OF THE INSTALLER AND/OR USER OF THIS PRODUCT TO ENSURE THAT IT IS USED IN COMPLIANCE WITH ALL APPLICABLE LAWS AND REGULATIONS. IF THIS PRODUCT WAS PURCHASED IN ERROR, DO NOT INSTALL AND/OR USE IT. THE PURCHASER MUST ARRANGE TO RETURN THE PRODUCT FOR A FULL REFUND.

THIS POLICY ONLY APPLIES TO INSTALLERS AND/OR USERS WHO ARE LOCATED IN THE UNITED STATES; HOWEVER CUSTOMERS WHO RESIDE IN OTHER COUNTRIES SHOULD ACT IN ACCORDANCE WITH THEIR LOCAL LAWS AND REGULATIONS.

WARNING!

Improper installation and/or adjustment of this product can result in major engine/vehicle damage. For technical assistance visit our dealer locator to find a professional installer/tuner near you.

Note: AEM holds no responsibility for any engine damage or personal injury that results from the misuse of this product, including but not limited to injury or death.

AEM Performance Electronics
AEM Performance Electronics, 2205 126th Street Unit A, Hawthorne, CA 90250
Phone: (310) 484-2322 Fax: (310) 484-0152
<http://www.aemelectronics.com>
Instruction Part Number: 10-305
Document Build 2/9/2021

Read and understand these instructions **BEFORE** attempting to install this product.

- Do not smoke while working on the fuel system.
- Keep open flames or sparks away from your work area.
- Be sure to relieve fuel pressure before beginning the installation.

Kit Contents

Quantity	Description
1	Universal Pressure Regulator
1	Bracket, Universal Pressure Regulator
4	Screw, Flat Head Cap 10-32x1/2"

Optional Fittings

AEM Part Number	Description
50-200-06	-6 Male AN to 9/16"-18 Male ORB (O-Ring Boss)
50-200-86	-8 Male AN to 9/16"-18 Male ORB (O-Ring Boss)

Installation & Adjustment

1. Installation of the AEM Universal Fuel Pressure Regulator

Warning!!!: Due to the differences on vehicle fuel pressure on different applications it is ***highly recommended*** that you adjust the fuel pressure on your vehicle. All adjustments of the pressure regulator will be explained in a later portion of the instructions

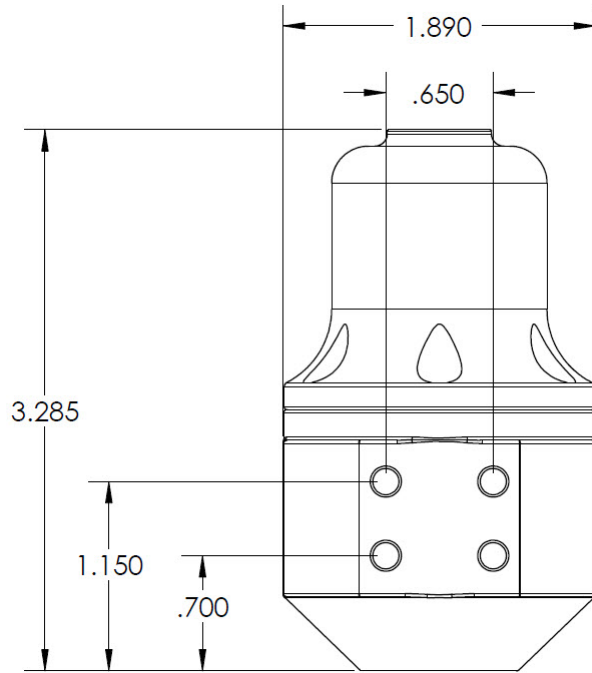
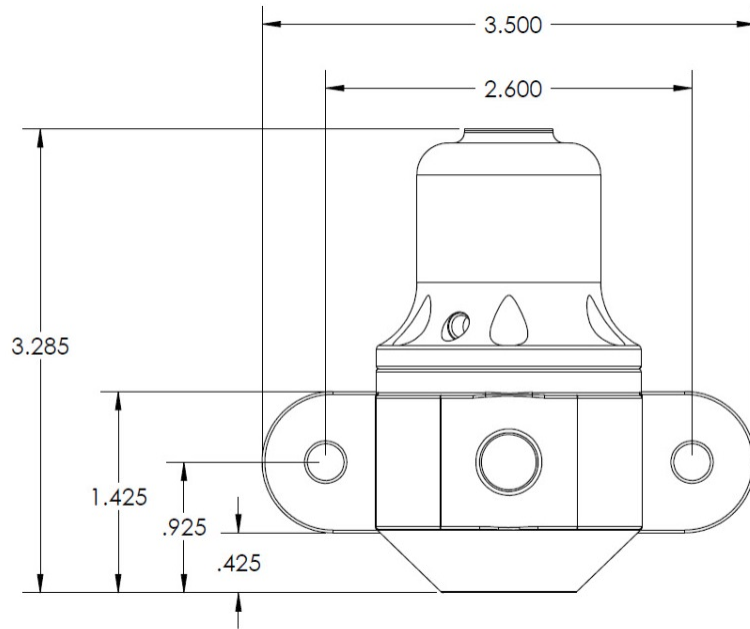
- The AEM universal fuel pressure regulator is designed with the mounting bracket as a bolt on component to the regulator body. If you desire, the regulator can be bolted directly to the car using the four threaded holes at the back of the regulator which are tapped with a 10-32 thread.
 - Install the mounting bracket to the regulator using the four supplied allen head screws.
 - Mount the fuel regulator on a flat surface.
 - The diameter of the mounting holes on the bracket are 1/4". On the last page of the instructions will be a mounting template, which should be used to mount the fuel regulator.
- The two inlet ports are tapped with a 9/16-18 thread for use with o-ring fittings. The fuel pressure gauge port is tapped with a 1/8-27 NPT.
- The outlet port is located at the bottom of the fuel pressure regulator. It has a 9/16"-8 thread for use with o-ring fittings.
- Connect the vacuum hose to the top of the fuel pressure regulator. (Hose size is a 3/16" or 5 mm)
- Connect the negative battery terminal.
- Turn the ignition or fuel pump switch to the on position for approximately two seconds. **Do not operate the starter.** Then turn the ignition switch to the off position.

2. Adjustment

Note: The AEM adjustable fuel pressure regulator can be fine-tuned for your application. These adjustments will be covered in this section. A fuel pressure gauge needs to be used for precise tuning.

- When fuel pressure adjustments are to be made, loosen the jam nut on the top of the AEM fuel pressure regulator and either tighten or loosen the set screw.
 - When loosening the jam nut a 7/16" wrench should be used.
 - When tightening or loosening the set screw a 1/8" allen key should be used.
 - To increase fuel pressure, turn the set screw in a clockwise rotation.
 - To decrease fuel pressure, turn the set screw in a counter-clockwise rotation.

Drawings



12 Month Limited Warranty

AEM Performance Electronics warrants to the consumer that all AEM ELECTRONICS products will be free from defects in material and workmanship for a period of twelve months from date of the original purchase. Products that fail within this 12-month warranty period will be repaired or replaced when determined by AEM that the product failed due to defects in material or workmanship. This warranty is limited to the repair or replacement, at AEM's discretion, of the AEM Electronics part. In no event shall this warranty exceed the original purchase price of the AEM ELECTRONICS part nor shall AEM ELECTRONICS be responsible for special, incidental or consequential damages or cost incurred due to the failure of this product.

Warranty claims to AEM ELECTRONICS must be transportation prepaid and accompanied by dated proof of purchase. This warranty applies only to the original purchaser of product and is non-transferable. All implied warranties shall be limited in duration to the said 12-month warranty period. Improper use or installation, accident, abuse, unauthorized repairs or alterations voids this warranty.

AEM ELECTRONICS disclaims any liability for consequential damages due to breach of any written or implied warranty on all products manufactured by AEM ELECTRONICS.

Warranty returns will only be accepted by AEM ELECTRONICS when accompanied by a valid Return Merchandise Authorization (RMA) number. Product must be received by AEM ELECTRONICS within 30 days of the date the RMA is issued. UEGO oxygen sensors are considered wear items and are not covered under warranty.

Please note that before AEM ELECTRONICS can issue an RMA for any electronic product, it is first necessary for the installer or end user to contact the tech line at 1-800-423-0046 to discuss the problem. Most issues can be resolved over the phone. Under no circumstances should a system be returned, or an RMA requested before the above process transpires. AEM ELECTRONICS will not be responsible for products that are installed incorrectly, installed in a non-approved application, misused, or tampered with.

Fuel Pumps installed with incorrect polarity (+&- wires crossed) will not be warranted. Proper fuel filtration before and after the fuel pump are essential to fuel pump life. Any pump returned with contamination will not be warranted.

Any AEM ELECTRONICS product, excluding discontinued products, can be returned for repair if it is out of the warranty period. There is a minimum charge for inspection and diagnosis of AEM ELECTRONICS parts which are out of warranty. Parts used in the repair of AEM ELECTRONICS electronic components will be extra. AEM ELECTRONICS will provide an estimate of repairs and must receive written or electronic authorization before repairs are made to the product.

Need additional help? Contact the AEM Performance Electronics tech department at 1-800-423-0046 or email us at tech@aemelectronics.com.