

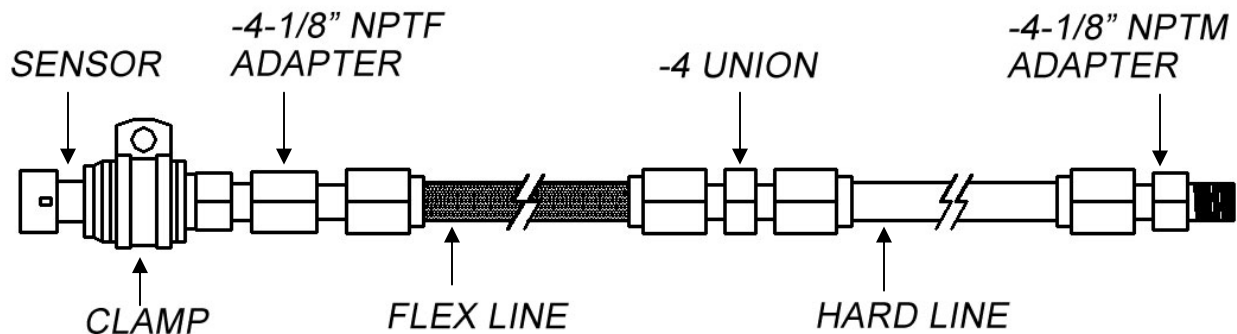


Part Number 30-2064 Exhaust Back Pressure Kit

The 30-2064 Exhaust Back Pressure Kit is designed for use with the 30-2340 4 Channel UEGO Wideband controller from AEM Performance Electronics. When mated to the 30-2064 EBP kit, the 30-2340 4 Channel UEGO Wideband controller gives accurate Air/Fuel ratio readings from UEGO sensors that are mounted pre turbo.

Exhaust gasses can reach very high temperatures and are corrosive. Sensors mounted directly to the exhaust manifold/header will not survive. The parts included in the EBP kit were selected to ensure accurate pressure readings without sacrificing sensor life.

NOTE: ALL COMPONENTS IN THIS KIT MUST BE USED.



Kit Contents:

- 1 x 100 PSIG Pressure Sensor
- 1 x -4 Braided Stainless Flex Line 24"
- 1 x -4 Stainless Hard Line 18"
- 1 x -4 Union
- 1 x -4 Male to 1/8" NPT Female Adapter
- 1 x -4 Male to 1/8" NPT Male Adapter, SS
- 1 x Sensor Clamp
- 1 x Screw 8-32 x 0.5"
- 1 x Nut 8-32

Installation:

1. Install the -4 to 1/8" NPT Male adapter into the exhaust manifold/header. The adapter can be threaded into a tapped 1/8" NPT hole or welded. A common location to install the adapter is after the exhaust gases for all cylinders have mixed.
2. Connect one end of the -4 hard line to the -4 adapter installed in step 1. The hard line can be bent over a generous radius to help with installation or clearance. **DO NOT SHORTEN THE HARD LINE.**
3. Connect one end of the -4 flex line to the remaining end of the -4 hard line using the supplied -4 union.
4. Connect the pressure sensor to the remaining end of the -4 flex line using the -4 male to 1/8" NPT Female adapter. A small amount of thread sealant can be used on the pipe threads.
5. Mount the sensor using the supplied sensor clamp and hardware. The sensor should be mounted in a vertical or near vertical position to prevent moisture from the exhaust gasses from collecting in the sensor.
6. Connect the 3 pin connector on the 4 Channel UEGO Wideband controller harness to the mate on the pressure sensor.
7. **Double check all fittings to make 100% sure there are no exhaust leaks. Any exhaust leaks in the hard line, flex line, or fittings will kill the sensor almost immediately.**

NOTE: THE AEM PRESSURE SENSOR USED IN THIS KIT MUST BE THE SAME AS THE SENSOR PICTURED BELOW. USE OF ANY OTHER AEM 100 PSIG PRESSURE SENSOR WILL CAUSE INCORRECT AFR READINGS.

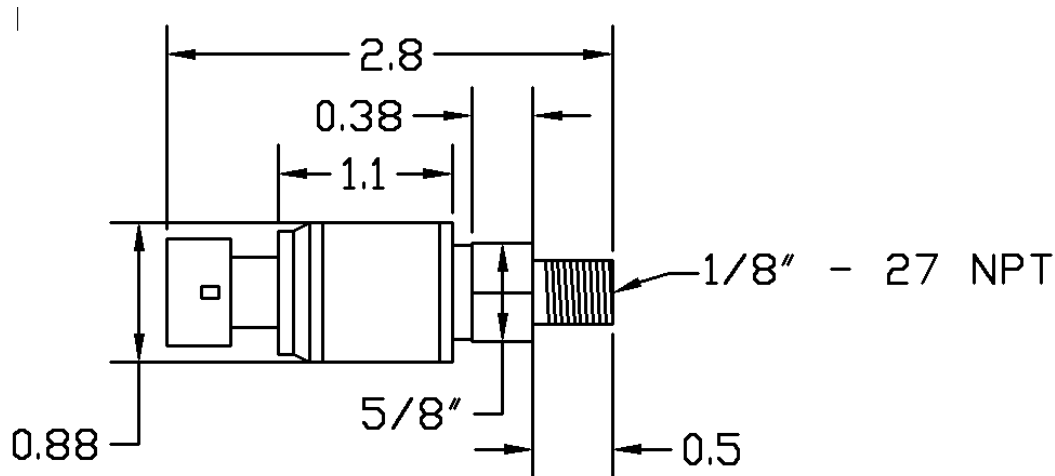


Figure 1. Pressure Sensor

12 MONTH LIMITED WARRANTY

Advanced Engine Management Inc. warrants to the consumer that all AEM High Performance products will be free from defects in material and workmanship for a period of twelve (12) months from date of the original purchase. Products that fail within this 12-month warranty period will be repaired or replaced at AEM's option, when determined by AEM that the product failed due to defects in material or workmanship. This warranty is limited to the repair or replacement of the AEM part. In no event shall this warranty exceed the original purchase price of the AEM part nor shall AEM be responsible for special, incidental or consequential damages or cost incurred due to the failure of this product. Warranty claims to AEM must be transportation prepaid and accompanied with dated proof of purchase. This warranty applies only to the original purchaser of product and is non-transferable. All implied warranties shall be limited in duration to the said 12 month warranty period. Improper use or installation, accident, abuse, unauthorized repairs or alterations voids this warranty. AEM disclaims any liability for consequential damages due to breach of any written or implied warranty on all products manufactured by AEM. Warranty returns will only be accepted by AEM when accompanied by a valid Return Goods Authorization (RGA) number. Product must be received by AEM within 30 days of the date the RGA is issued.

Please note that before AEM can issue an RGA for any product, it is first necessary for the installer or end user to contact the AEM Performance Electronics tech line at 1-800-423-0046 to discuss the problem. Most issues can be resolved over the phone. Under no circumstances should a system be returned or a RGA requested before the above process transpires.