

INSTRUCTION MANUAL



P/N 30-8400 8 BUTTON KEYPAD

The 30-8400 is a compact 8 button keypad designed to be used with the AEM VCU. The keypad is water and dust resistant and has programmable RGB LEDs for each button. The button inserts can be rotated 90 degrees for a vertical installation.

The keypad is not a stand-alone device. It is designed to be operated as an interface to either the VCU-200 or VCU-300 Vehicle Control Units. As such, the keypad module itself is not programmable in any way and only carries out commands issued by other devices.

Refer to the VCU instructions to activate the switch panel within the control strategy used by the VCU.

<https://www.aemev.com/products/ev-vehicle-control-units>

Kit Contents

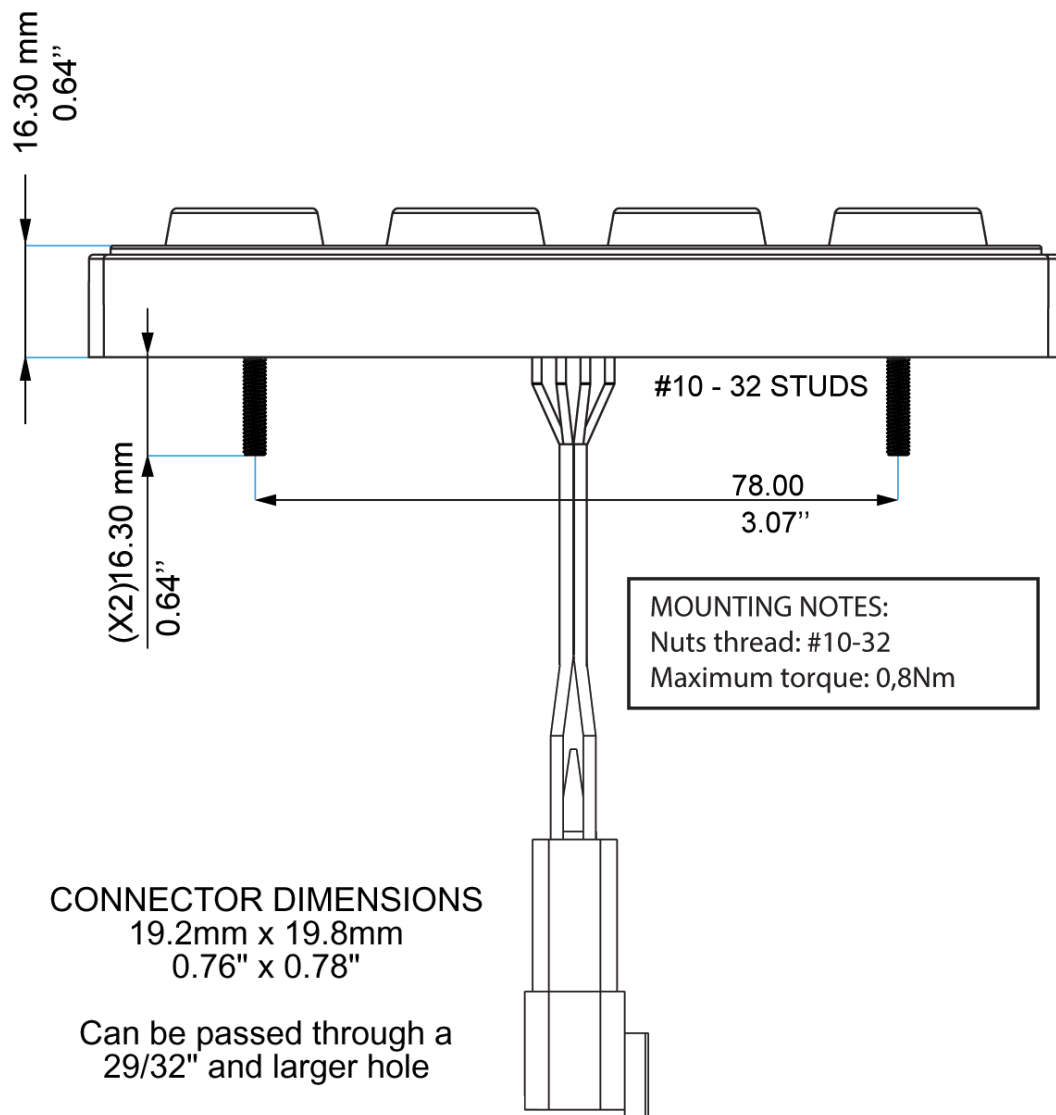
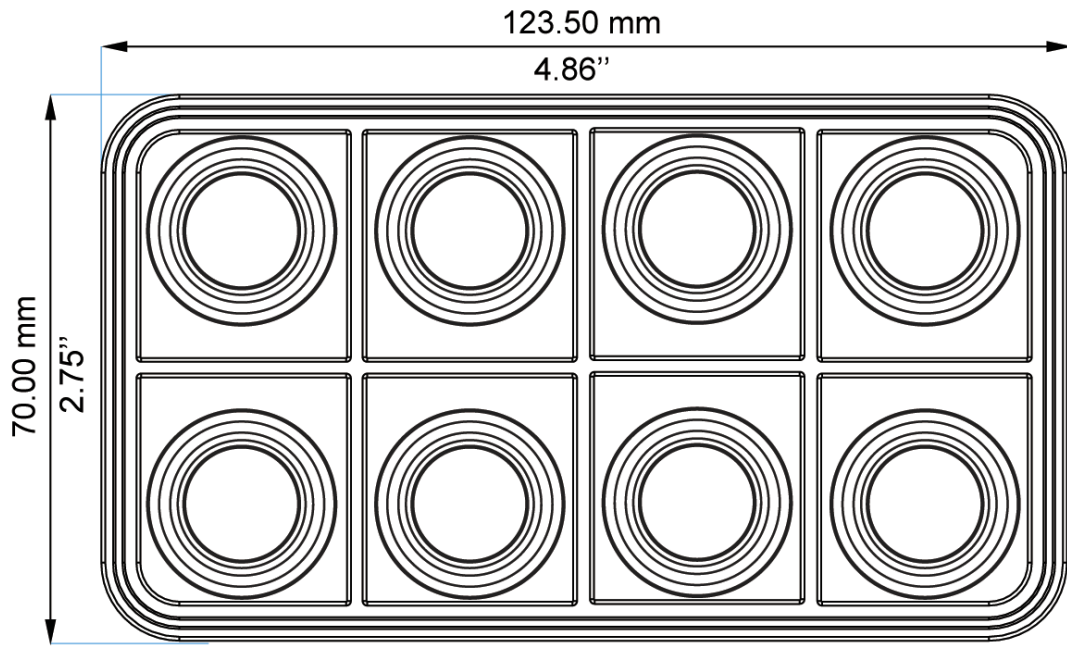
36-8402	Keypad, CAN 8 Assy		35-8255	Insert, Start Stop
1-2022	Nut, 10-32, Quan = 2		35-8256	Insert, Low / Speed
1-3016-E	Washer, Quan = 2		35-8257	Insert, Launch
35-8250	Insert, "P"		35-8258	Insert, Time Mix
35-8251	Insert, "R"		35-8259	Insert, Trac
35-8252	Insert, "N"		35-8260	Insert, Aux
35-8253	Insert, "D"		35-8261	Insert, RPM Set
35-8254	Insert, Power ON			

Connector Pin Out

Connector	AMP ATM04-4P	
Mating Connector	AEM 35-2624, DTM-Style 4-Way Plug Connector Kit. Includes Plug, Plug Wedge Lock & 5 Female Pins	
Pin	Wire Color	Function
1	White	CAN High
2	Blue	CAN Low
3	Red	Switched +12V
4	Black	Ground

When changing button functionality, note that each buttons physical number (1-8) is fixed and can be seen on the rear of the switch panel.

Mounting & Dimensions



Notice

Advanced Engine Management Co., inc. (“AEM”) and its affiliates, shareholders, directors, officers, agents, representatives, successors and assigns (collectively, the “AEM Parties”) hold no responsibility for any damage or injury that results from installation or misuse of any AEM products. Except for, to the extent applicable to the products you have purchased, AEM's 12 month limited warranty (see below), all AEM products are provided “as is” and the AEM Parties expressly disclaim all warranties, whether express, implied, statutory or otherwise. The AEM Parties specifically disclaim all implied warranties of merchantability and fitness for a particular purpose, and all warranties arising from course of dealing, course of performance, usage or trade practice.

Under no circumstances shall any AEM Party be liable to you or any other person or entity for any damages of any amount or character (including, without limitation, any general, indirect, special, incidental, exemplary, consequential or punitive damages) arising out of, related to, or in connection with (1) your installation of any AEM products or (2) your misuse of any AEM products. In no event shall any AEM Party be liable to you or any other person or entity for any lost or corrupted data, lost profits, lost revenues, loss of use, diminution in value, loss of other intangibles or any special, incidental, indirect, exemplary, punitive or consequential damages, whether arising out of breach of contract, tort (including negligence) or otherwise, regardless of whether such damages were foreseeable and whether or not the AEM Parties were advised of the possibility of such damages. Some jurisdictions may not allow the exclusion or limitation of incidental or consequential damages, so the above exclusions shall only apply to the extent permissible under applicable law.

12 Month Limited Warranty

AEM Performance Electronics warrants to the consumer that all AEM Electronics products will be free from defects in material and workmanship for a period of twelve months from the date of the original purchase. Products that fail within this 12-month warranty period will be repaired or replaced when determined by us that the product failed due to defects in material or workmanship. This warranty is limited to the repair or replacement of the AEM Electronics part. This warranty applies only to the original purchaser of the product and is non-transferable. All implied warranties shall be limited in duration to the said 12-month warranty period. Improper use or installation, accident, abuse, unauthorized repairs or alterations performed by the user on any AEM Electronics products voids this warranty.

In no event shall this warranty exceed the original purchase price of the AEM Electronics part nor shall AEM Electronics be responsible for special, incidental or consequential damages or cost incurred due to the failure of this product.

AEM Electronics disclaims any liability for consequential damages due to breach of any written or implied warranty on all of its products.

Warranty returns will only be accepted by AEM Electronics when accompanied by a valid Return Merchandise Authorization (RMA) number and a dated proof of purchase. The product must be received by AEM Electronics within 30 days of the date the RMA is issued. Warranty claims to AEM Electronics must be shipped to us prepaid (we recommend a shipping service with package tracking capability). Once your package is received by our warranty and repairs department you will be notified and provided with updates.

PROCEDURES FOR ISSUANCE OF A RETURN MERCHANDISE AUTHORIZATION (RMA) NUMBER–

Please note that before AEM Electronics can issue an RMA for any product, it is first necessary for the installer or end-user to contact our technical support team to discuss the problem. Most issues can be resolved over the phone. Under no circumstances should a system be returned, or an RMA requested before our support team is contacted. This will ensure that if an RMA is needed that our team is able to track your product through the warranty process.

You can reach our Tech Support Team for support on all AEM Electronics performance products by phone at 1-800-423-0046. To contact us by email for engine management systems, email us at emstech@aemelectronics.com. For all other products, email us at gen.tech@aemelectronics.com.

AEM Electronics will not be responsible for products that are installed incorrectly, installed in a non-approved application, misused, or tampered with. In the case of AEM Electronics Fuel Pumps, incorrect polarity (+&- wires crossed) will not be warranted. Proper fuel filtration before and after the fuel pump is essential to fuel pump life. Any pump returned with contamination will not be warranted.

PRODUCTS OUTSIDE OF WARRANTY PERIOD

Any AEM Electronics product, excluding discontinued products, can be returned for repair if it is out of the warranty period. There is a minimum charge of \$50.00 for inspection and diagnosis of AEM Electronics parts. Parts used in the repair of AEM Electronics components will be extra. AEM Electronics will provide an estimate of repairs and must receive written or electronic authorization from you before repairs are made to a product.